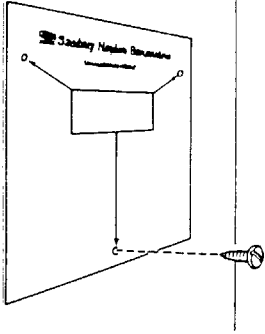


Sanitary Napkin Receptacle No. 6140

Mounting Instructions

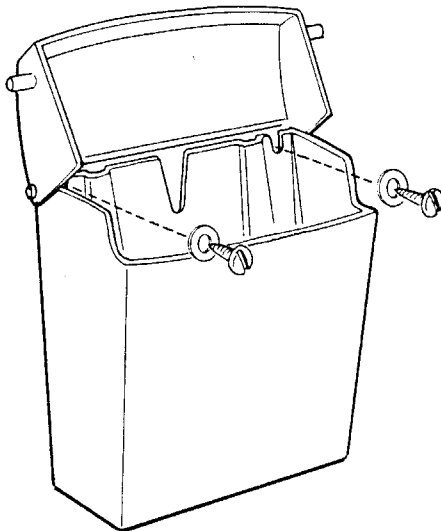
Use this sheet
as a guide
for locating
screws for mounting.

1.



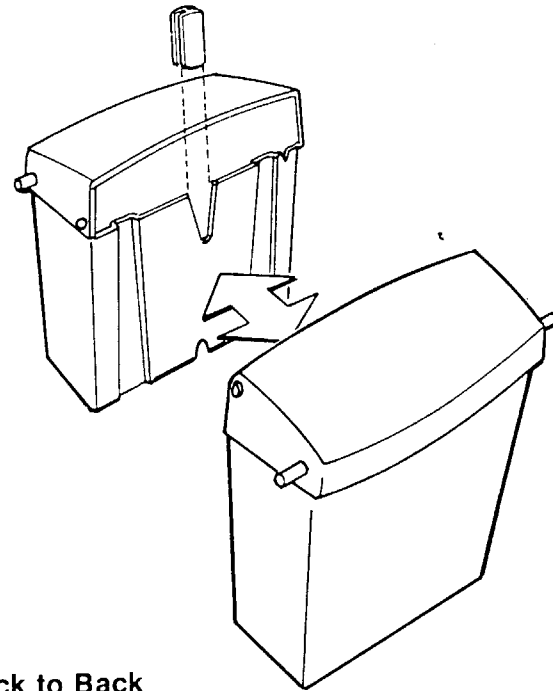
Locate screw in
bottom position.

2.



Place container on bottom screw. Remove
liner and install top screws.

3.



Back to Back Mounting

Hold two bases together at back, with liners
removed, slide connector down over center
slots.